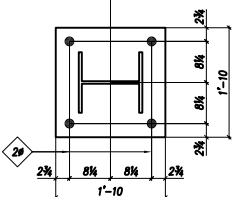
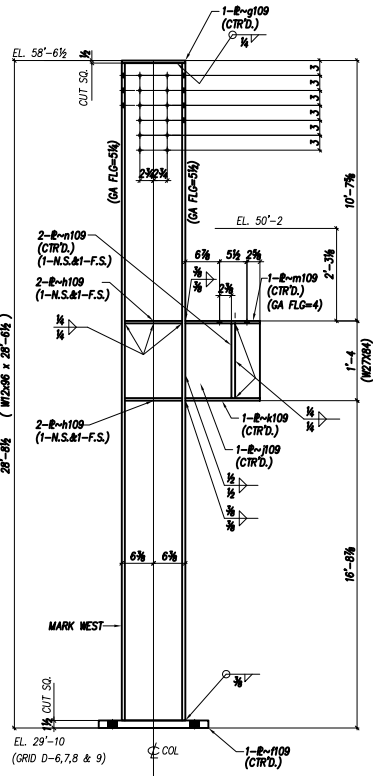
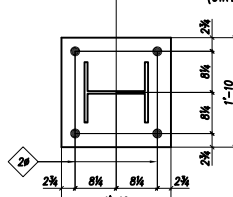
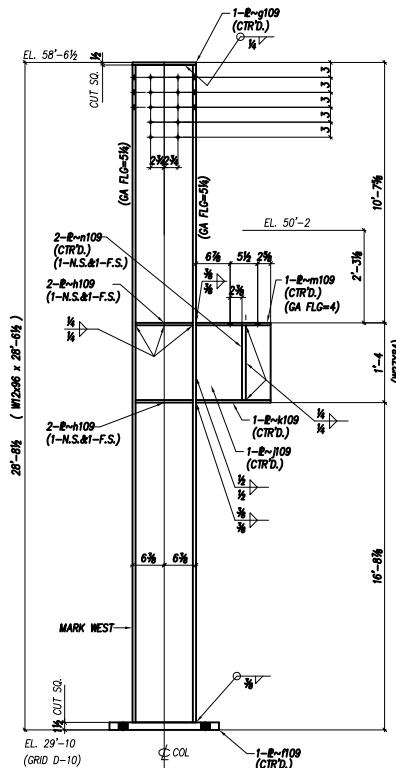


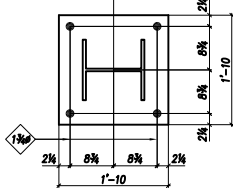
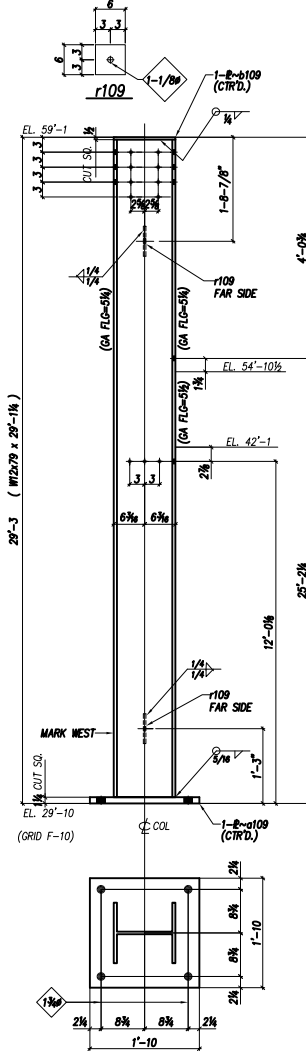
1 - COLUMN ~ A109



4 - COLUMNS ~ B109



1 - COLUMN ~ C109



1 - COLUMN ~ D109

SHOP BILL

No.	Material	Length	Temp. Mark	Steel No.	No. Pcs.	Description	Shipping Mark	Weight
1	W12x79	28'-6 1/2		A572	1	COLUMN	A109	
1	R 1 1/2 x 1'-10	1'-10		a109 A572				
2	R 1/2 x 1'-0 3/4	0'-10 3/4		c109 A572				
1	R 1/2 x 1'-0 3/4	1'-0 3/4		b109 A572				
2	R 1/2 x 1'-0 3/4	1'-8 1/2		d109 A572				
1	L 8 x 4 x 1/2	1'-1		p109 A572				
4	W12x96	28'-6 1/2		A572	4	COLUMNS	B109	
4	R 1 1/2 x 1'-10	1'-10		f109 A572				
4	R 1/2 x 1'-0 3/4	1'-0 3/4		g109 A572				
16	R 1/2 x 5 1/2	0'-10 3/4		h109 A572				
4	R 3/4 x 1'-3	1'-3		j109 A572				
4	R 1/2 x 1'-0	1'-3		k109 A572				
4	R 1/2 x 1'-0	1'-3		m109 A572				
8	R 3/4 x 5 1/2	1'-2 1/2		n109 A572				
1	W12x96	28'-6 1/2		A572	1	COLUMN	C109	
1				f109 A572				
1				g109 A572				
4				h109 A572				
1				j109 A572				
1				k109 A572				
1				m109 A572				
2				n109 A572				
1	W12x79	29'-1 1/2		A572	1	COLUMN	D109	
1				a109 A572				
1				b109 A572				
2	PL 1/2"x6"	6"		p109 A572				

SURFACE PREP: _____ TOTAL WEIGHT ON DWG: _____

SHOP PAINT: _____ WELD ELECTRODES: _____

PAINT AROUND HOLES _____ HOLES: _____ BOLTS: _____

NO PAINT WITHIN 3" OF HOLES _____

CUSTOMER: _____

JOB: _____

LOCATION: _____

DETAILS OF: _____

MADE	DATE	CONTRACT	SEQ.	DRAWING	REV.
NO.	DATE	BY	CK	DATE	DESCRIPTION:
REVISION					

CHECKED: _____ DATE: _____