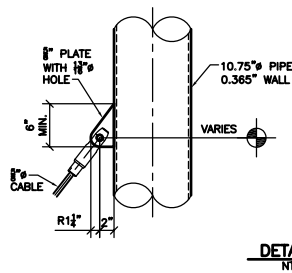
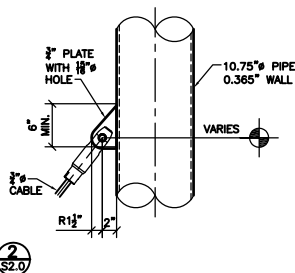


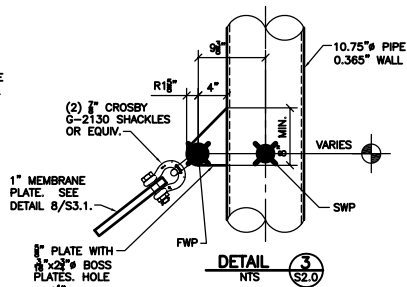
(TYP. CAP PLATE DETAIL AT CENTER COLUMNS)



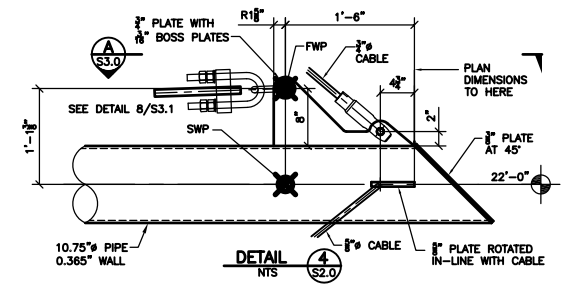
(TYP. 1/2" CABLE CONN. AT CENTER COLUMNS)



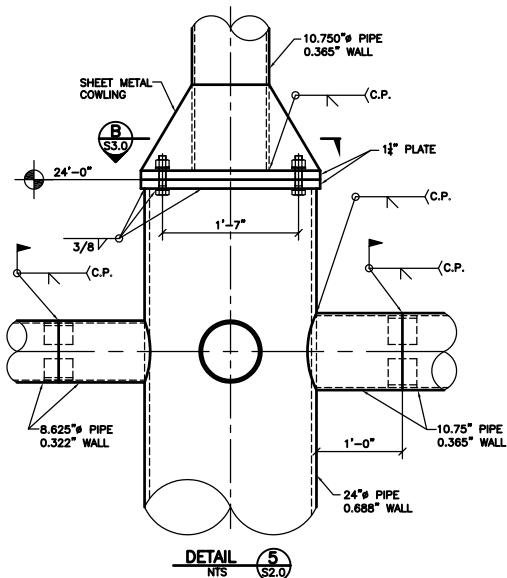
(TYP. 3/8" CABLE CONN. AT CENTER COLUMNS)



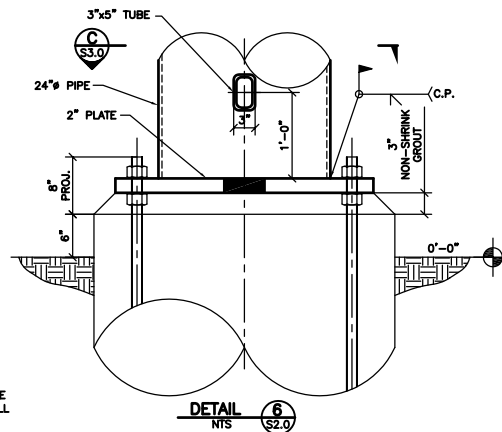
(TYP. 7/8" SHACKLE CONN. AT CENTER COLUMNS)



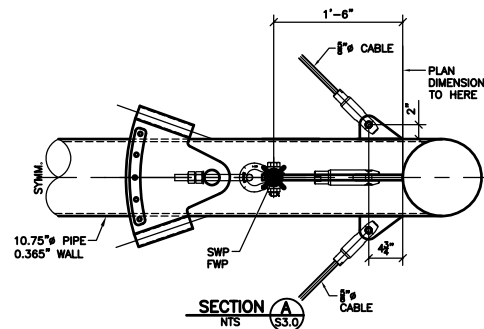
(DETAIL AT END OF 10.75" OUTRIGGER. NODE #6-SOCCER, NODE #7-LAKE.)



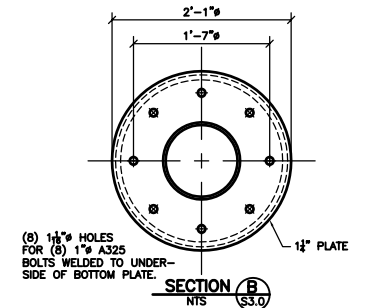
(TYP. FIELD JOINT FOR OUTRIGGERS AT CENTER COLUMNS AND COLUMN SPLICE DETAIL)



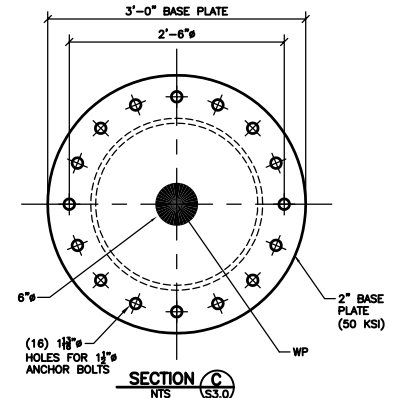
(DETAIL AT BASE OF ALL COLUMNS.)



(DETAIL AT END OF 10.75" OUTRIGGER. NODE #6-SOCCER, NODE #7-LAKE.)



(TYP. SPLICE @ CENTER COLUMNS)



(TYP. BASE PLATE SECTION FOR ALL COLUMNS)

- NOTES:  
 1. USE 1/8" FILLET WELD ALL AROUND TYP. U.N.O.  
 2. SEE DRAWING S4.0 FOR CABLE END FITTINGS.